

# STERIL-AIRE®

UVC for HVAC™

## Steril-Aire RIDS

### Remedial In-Room Decontamination System

The Steril-Aire Remedial In-Room Decontamination System (RIDS) is a mobile unit equipped with multi-patented, high output UVC technology. It provides a safe and effective way to decontaminate surfaces infested with mold, bacteria or viruses.

The user wheels the RIDS unit into the infested area, leaves the room and turns on the unit remotely, allowing the energy from high output UVC Emitters™ to decontaminate walls, tabletops and other surfaces. A 12' x 12' area can typically be decontaminated in approximately 24 hours. Multiple RIDS units may be used to treat larger areas. Steril-Aire UVC technology uses no chemicals, produces no ozone or other toxic contaminants, and minimizes worker exposure during the decontamination process.

- Produces no ozone or other secondary contaminants.
- Portable – The entire unit moves on a set of casters (wheels) and may be placed in a fixed position using the brakes on two of the casters.
- Convenient operation – Simply plug into a standard 120 V outlet. To avoid UVC light exposure, an extension cord (min. 16 AWG) should be used to power unit from another room.
- Android App for remote operation is loaded on the included Smartphone but is free to load on additional devices.
- Proven through independent testing to provide the highest output of any UVC device on the market, for the most effective germicidal control.
- Long service life – typically 9,000 continuous hours between Emitter change-outs.

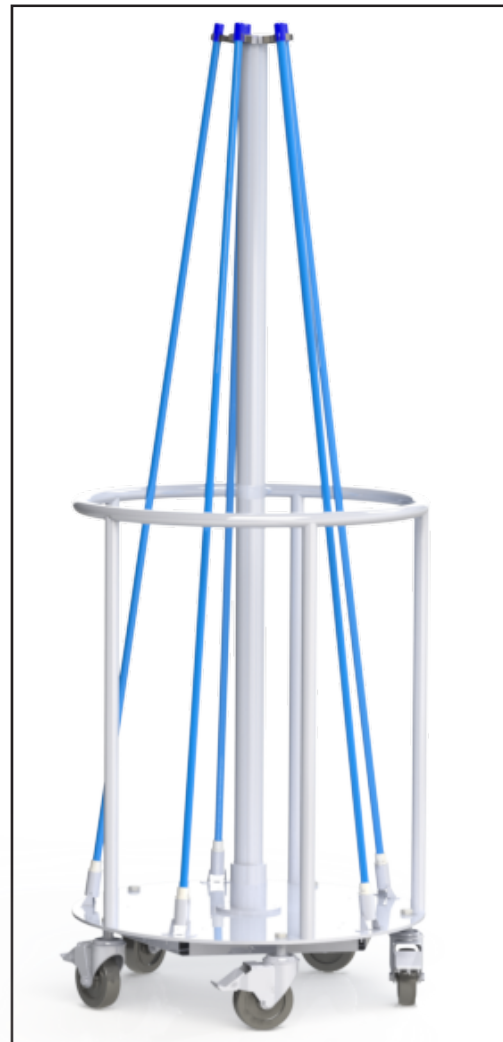
### Applications

RIDS is a portable in-room unit that may be used in any type of residential, commercial, industrial or institutional building. Applications include:

- Residential and commercial surface mold remediation.
- Food preparation, processing, yeast rooms, etc. to reduce contamination. (Shatter-resistant Emitters are offered as an option for food industry applications.)
- DNA laboratories to prevent cross-contamination.
- Surface decontamination in hospitals and health care facilities.

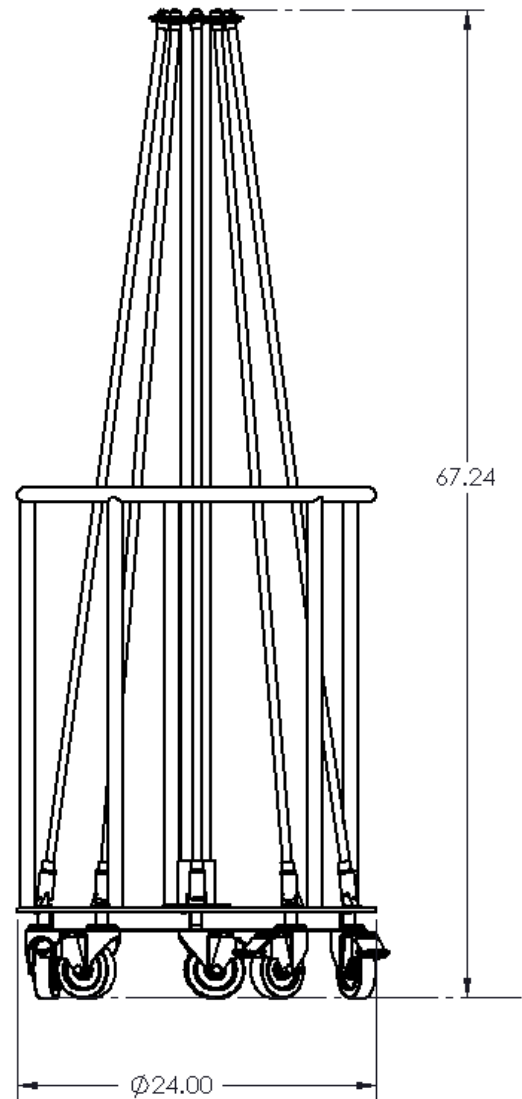
### Benefits

- Kills or inactivates surface microorganisms that contribute to poor IAQ and/or the spread of infectious disease, including: mold (such as *Stachybotrys* and *Aspergillus*), bacteria (including *TB*, *Legionella*, *E. coli*, *Listeria*, *Salmonella* and *whooping cough*), and viruses (including *colds*, *flu*, *SARS*, *Bird or Avian Flu* and *measles*).
- Uses patented state-of-the-art solid-state electronic power supplies for enhanced reliability and performance. Emitter and power supply are the same as those used in Steril-Aire's Rapid Install Kit (KIT), EUVC & ESE Fixtures, the industry standard in "UVC for HVAC™".



## Specifications

- **UVC Emitters™** – Five (5) EGTS 61 VO factory-tested Emitters. Each Emitter is a very high output, hot cathode, T5 diameter, Enhanced 4-pin cell-base type that produces broadband UVC of 250-260 nm. Each Emitter produces the specified output at up to 2000 fpm velocity and air temps. of 35-110° F. It produces no ozone or other secondary contaminants.
- **Emitter Sockets** – Enhanced 4-pin type w/sufficient wire length for easy service.
- **Power Supplies** – Five (5) power supplies factory assembled and tested. Each unit is a UL Listed, Class P, very high output electronic power supply with a high powerfactor and end-of-lamp-life protection. The power supply design includes RF and EMI suppression. The power supply is designed to maximize photon production, irradiance and reliability in cold or moving airstreams of 35-110° F and upto 2000 fpm velocity.
- **Support System** – Aluminum tray, aluminum base, and five 4” casters equipped with brakes



## Ordering Information

Part No.	Description
11000961	Steril-Aire RIDS
10000177	Power Supply, VO, 120-277 V
21000811	EGTS 61 VO Emitter

**STERIL-AIRE®**

**Steril-Aire™, Inc.**

**Corporate Office:**

2840 North Lima Street  
 Burbank, CA 91504 1  
 818-565-1128  
 Fax 818-565-1129

Website: [www.steril-aire.com](http://www.steril-aire.com)  
 Email: [sales@steril-aire.com](mailto:sales@steril-aire.com)



**STERIL-AIRE**

Registered to ISO  
 9001:2015 & 14001:2015

Represented By: